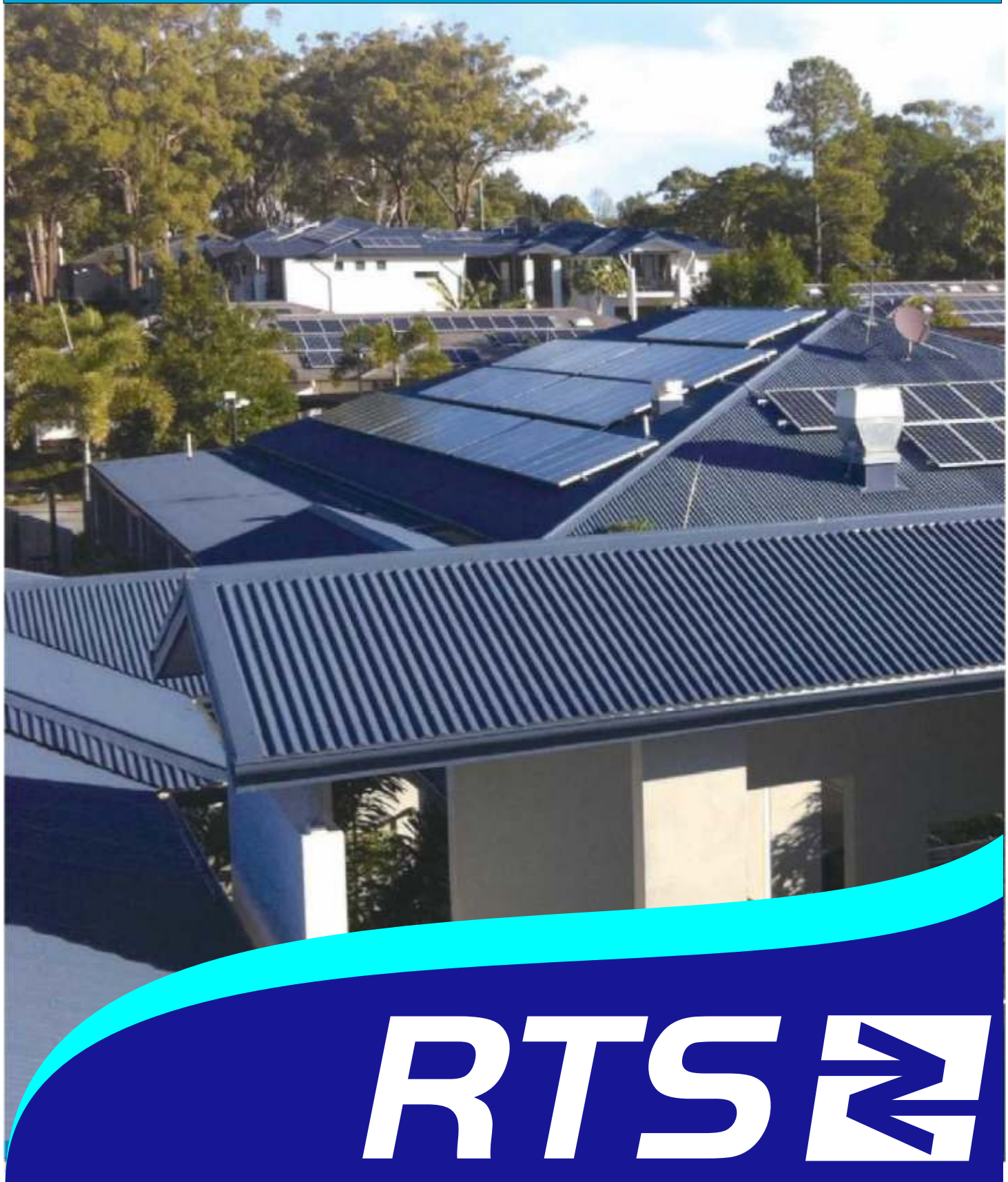


**Save your electric bill  
Now have the advantage to stay on the grid**



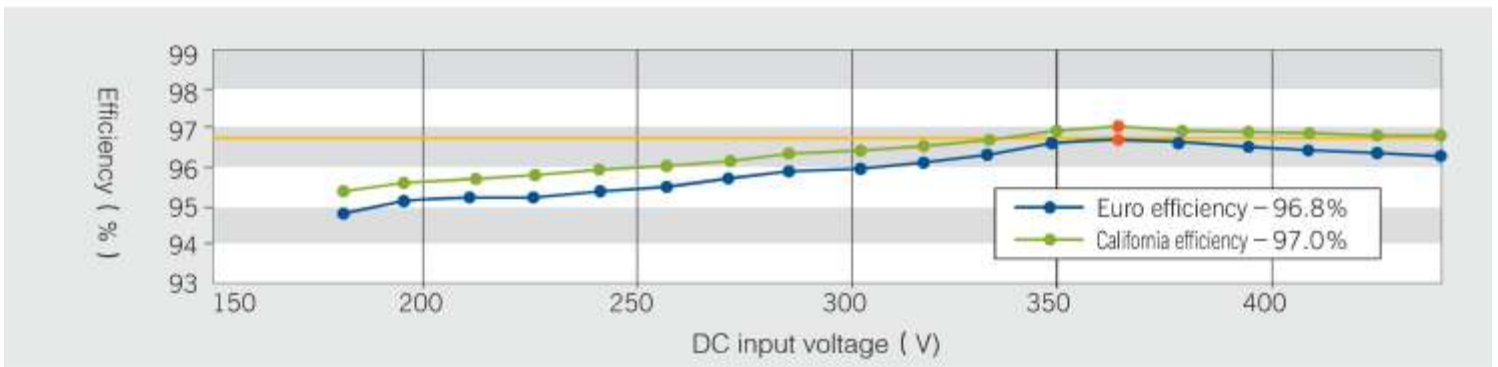
**RTS **

## RTS-DV SERIES 5KW

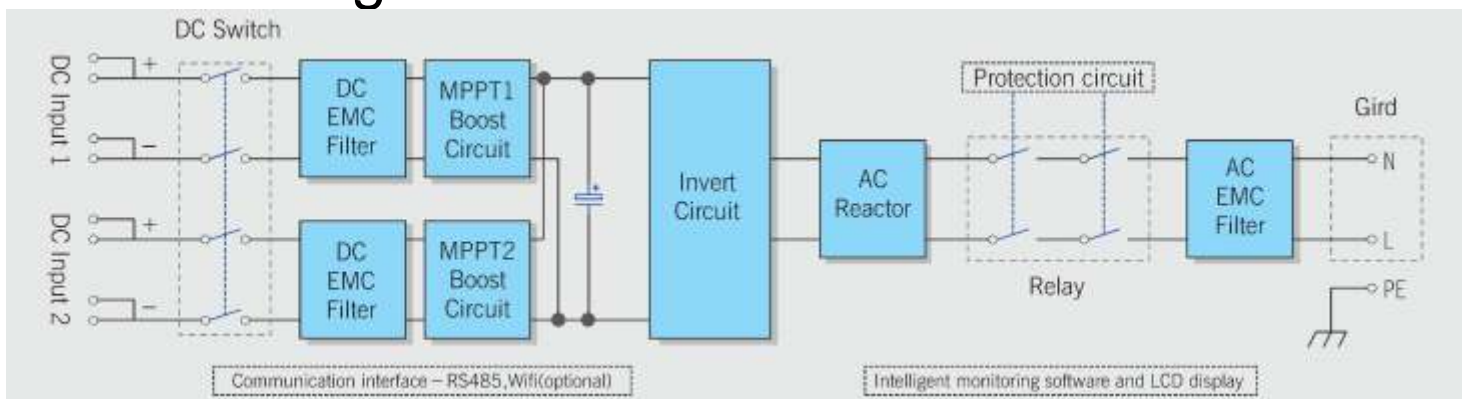
Transformer-less design and compact in size  
IP65 protection class  
Double MPPT design for application demands  
Firmware is upgradable via RS232 port  
Optional DC switch available  
Comply with latest VDE AR N4105 standard  
MPPT efficiency > 99.9%  
Maximum efficiency > 97.6%  
Mimic LCD display versatile communication interface options, standard  
RS485 port and external WIFI & Ethernet devices  
Monitoring software provided offers operational status and electricity generated data



## Efficiency curve



## Circuit diagram



## RTS-DV SERIES 5KW

### INPUT

Max. DC input power	3300W	4000W	4600W	5500W
Max. DC input voltage	600Vdc			

150~500Vdc (Rated voltage 360Vdc)

Number of MPPT tracking	2			
Max. input current for each tracking	9Ax2	11Ax 2	13Ax2	15Ax2

### OUTPUT

Rated output power	3000W	3600W	4200W	5000W
Max. AC output power	3100W	3700W	4300W	5100W

Rated output voltage 230Vac

Output voltage range 184~276Vac

Grid frequency range 50/60Hz(±5Hz), (adjustable)

Rated output current	13A	15.6A	18.3A	21.7A
Max. output current	15A	18A	21A	24A
Power factor (cos $\phi$ )	0.9 leading-0.9 lagging			
Total harmonic current distortion(THDi)	<3%			
<b>SYSTEM FEATURES</b>				
Max. efficiency	>97.4%	>97.4%	>97.5%	>97.6%
Euro efficiency	>96.6%	>96.7%	>96.8%	>96.8%

MPPT efficiency >99.9%

Standby (night time) losses <0.2W

DC switch Optional

Communication interface RS485 standard, external WiFi or Ethernet (optional)

### ENVIRONMENTAL

Operating temperature -20°C~60°C

Humidity range 0~95% (non-condensing)

Altitude 2000m

Noise level <25dB (1 meter from surface)

Protection rating IP65

### PHYSICAL

Dimension WxDxH (mm) 395X180X637

Shipping weight (kg) 23.5 25.8

### STANDARDS

Safety IEC/EN62109-1, IEC/EN62109-2,

EMC EN61000-6-2, EN61000-6-3,etc

Specifications subject to change without prior notice.

[www.rtsradio.co.za](http://www.rtsradio.co.za)  
TEL: 086 100 2525

**RTS** 